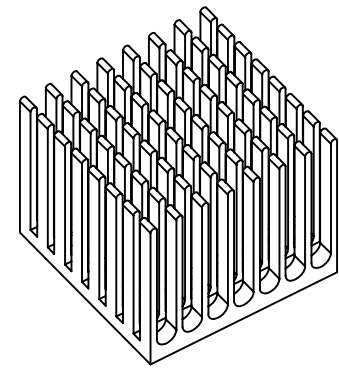
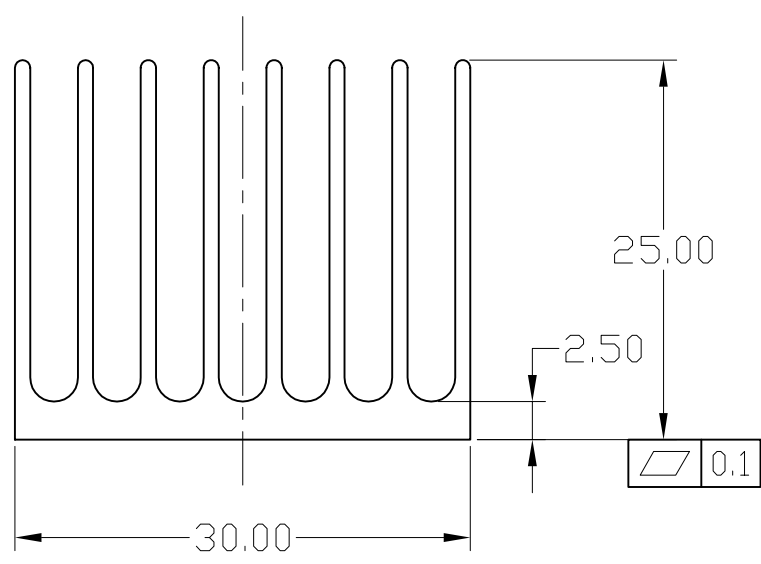
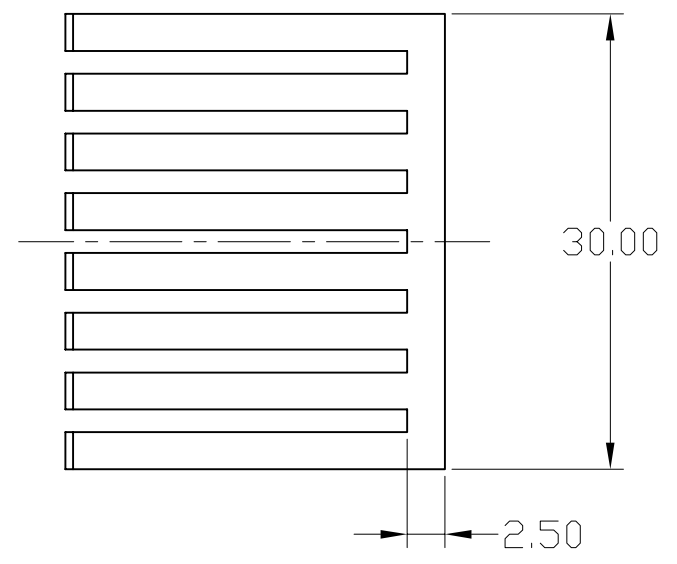
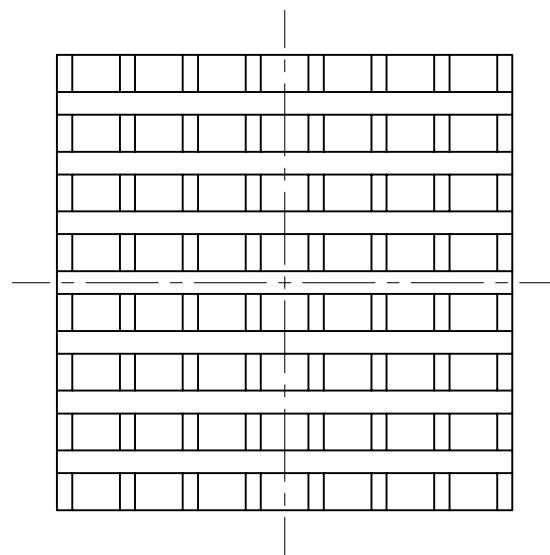


NOTICE - PROPRIETARY INFORMATION  
 THE DESIGN AND RELATED INFORMATION CONTAINED HEREIN  
 IS THE SOLE PROPERTY OF COFAN INC. THE DISCLOSURE  
 OF THIS INFORMATION DOES NOT CONSTITUTE THE RELEASE OF  
 ANY PROPRIETARY RIGHTS THEREIN. PERMISSION TO REPRODUCE  
 THIS INFORMATION OR THE PRODUCTS DISCLOSED HEREIN  
 MUST BE OBTAINED IN WRITING FROM COFAN INC.



<b>DO NOT SCALE DRAWING</b> <small>UNLESS OTHERWISE SPECIFIED          DIMENSIONS ARE IN MILLIMETRE          TOLERANCES ARE:</small>	MATERIAL:	CUSTOMER DRAWING NUMBER:		
	AL 6063-T5	-	 <small>1400 FULTON PL. UNIT A FREMONT CA 94539</small>	
	FINISH:	Black Anodize	CUSTOMER PART NUMBER:	
	DRAWN BY:	<i>Dan</i>	----	NAME: HEAT SINK
<small>1 PLACE .X ± 0.4          2 PLACE .XX ± 0.25          3 PLACE .XXX ± 0.13          ANGLES EXCEPT 90° ± 1°          MAXIMUM SURFACE ROUGHNESS 3.1√</small>	COFAN DRAWING NUMBER:	SCALE:	CUS REV:	COF REV:
		NONE	-	B
	APPR BY:	COFAN PART NUMBER:	SHEET:	DATE DRAWN:
		20-1049	1 OF 1	Jun-29-2005