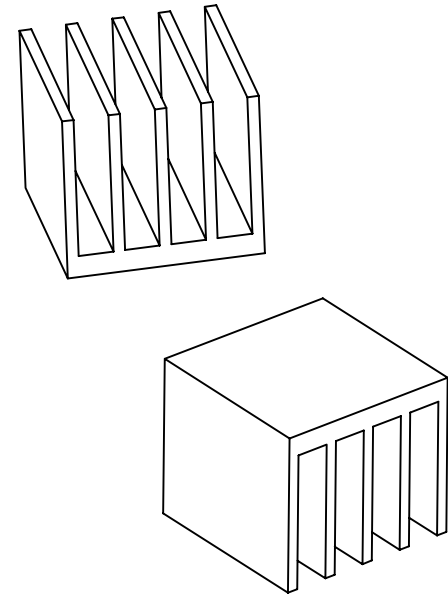
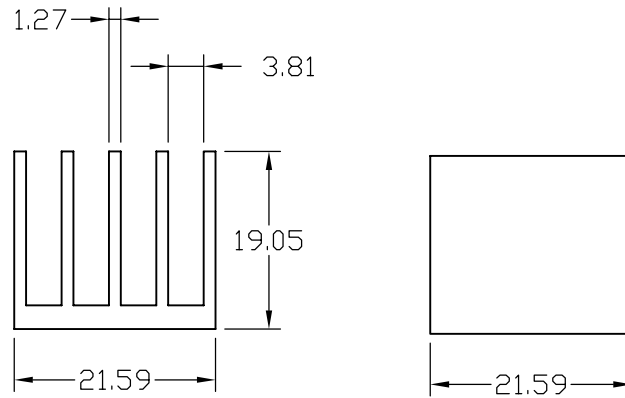


8 7 6 5 4 3 2 1

NOTICE - PROPRIETARY INFORMATION
 THE DESIGN AND RELATED INFORMATION CONTAINED HEREIN
 IS THE SOLE PROPERTY OF COFAN INC. THE DISCLOSURE
 OF THIS INFORMATION DOES NOT CONSTITUTE THE RELEASE OF
 ANY PROPRIETARY RIGHTS THEREIN. PERMISSION TO REPRODUCE
 THIS INFORMATION OR THE PRODUCTS DISCLOSED HEREIN
 MUST BE OBTAINED IN WRITING FROM COFAN INC.

NOTES: (UNLESS OTHERWISE SPECIFIED)

1. MATERIAL: AL 6063-T5;
2. FINISH: BLACK ANODIZE;
3. MARK PART NUMBER AND REVISION LEVEL APPROXIMATELY WHERE SHOWN.
 MARKING TO BE 3.30 ± 0.05 TALL. RUBBER STAMP OR LASER MARK IN PERMANENT CONTRASTING
 COLOR OR METAL STAMP TO DEPTH OF 0.1 ± 0.02 , PRIOR TO ANODIZING.



DO NOT SCALE DRAWING UNLESS OTHERWISE SPECIFIED DIMENSIONS ARE IN MILLIMETRE TOLERANCES ARE: 1 .x ± 0.5 2 .xx ± 0.25 3 .xxx ± 0.13 ANGLES EXCEPT 90° MAXIMUM SURFACE ROUGHNESS 12.5 √	MATERIAL:	CUSTOMER DRAWING NUMBER:	1400 FULTON FL. UNIT A FREMONT CA 94539	
	SEE NOTES 1	CUSTOMER PART NUMBER:	NAME: HEAT SINK 21.6 x 21.6 x 19mm	
	SEE NOTES 2	COFAN DRAWING NUMBER:	SCALE:	REV:
	DRAWN BY: ZHENG	20-1173	2:1	01
APPR BY:	COFAN PART NUMBER:	SHEET:	DATE DRAWN:	
	20-1173	1 OF 1	12-23-2003	