

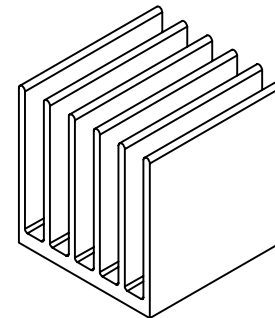
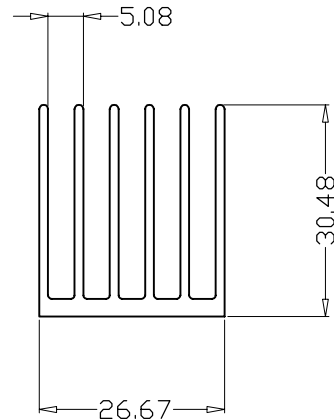
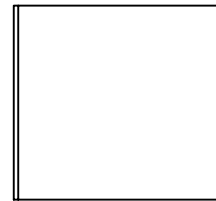
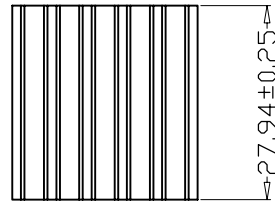
NOTICE - PROPRIETARY INFORMATION
 THE DESIGN AND RELATED INFORMATION CONTAINED HEREIN
 IS THE SOLE PROPERTY OF COFAN INC. THE DISCLOSURE
 OF THIS INFORMATION DOES NOT CONSTITUTE THE RELEASE OF
 ANY PROPRIETARY RIGHTS THEREIN. PERMISSION TO REPRODUCE
 THIS INFORMATION OR THE PRODUCTS DISCLOSED HEREIN
 MUST BE OBTAINED IN WRITING FROM COFAN INC.

REVISION HISTORY					
REV	DESCRIPTION	DRWN	CHK'D	APPVD	DATE
02	Height change to 30.48mm from 27.94mm. Customer part# change to 20-00550-01 from 20-00190-01.	AJie	--	--	Jun-06-07

NOTES

1. MATERIAL: AL 6063-T5
2. FINISH: BLACK ANODIZE
3. APPROX WEIGHT: 21.17g
4. ⚠ IS CRITICAL INSPECTION POINT. NUMBERING IN TRIANGLE IS TO BE USED FOR CROSS REFERENCE OF INSPECTION REPORT TO DRAWING DIMENSION OR FEATURE.
5. MARX PART NUMBER AND REVISION LEVEL APPROXIMATELY WHERE SHOWN MARKING TO BE 3.3 ± 0.5 TALL RUBBER STAMP OR LASER MARK IN PERMANENT CONTRASTING COLOR OR METAL STAMP TO DERTH OF 0.1 ± 0.02 PRIOR TO ANODIZING
6. NO SHARP BURR OR EDGES

**RoHS
 Compliant
 2002/95/EC**



DO NOT SCALE DRAWING <small>UNLESS OTHERWISE SPECIFIED DIMENSIONS ARE IN MILLIMETRE TOLERANCES ARE:</small> 1 PLACE .X ± 0.3 2 PLACE .XX ± 0.13 3 PLACE .XXX ± 0.06 ANGLES EXCEPT 90° ± 0.5° MAXIMUM SURFACE ROUGHNESS 3.2√	MATERIAL: 1	CUSTOMER DRAWING NUMBER: -----	 <small>1400 FULTON PL. UNIT A FREMONT CA 94539</small>		
	FINISH: 2	CUSTOMER PART NUMBER:	NAME: HEAT SINK 27 x 28 x 30.5mm		
	DRAWN BY: AJie	COFAN DRAWING NUMBER: 20-1180	SCALE: 1:1	CUS REV: A0	COF REV: 02
	APPR BY: Ivan.C	COFAN PART NUMBER: 20-1180	SHEET: 1 OF 1	DATE DRAWN: Jun-06-2007	