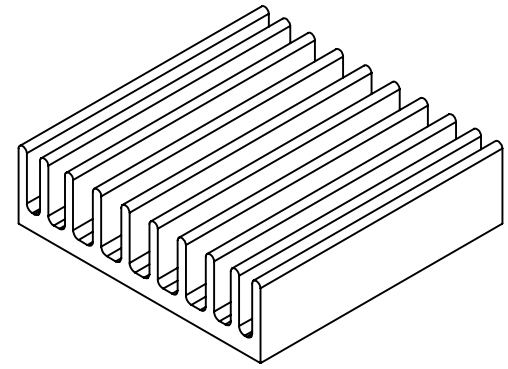
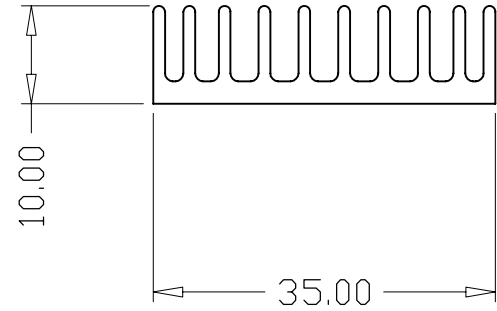
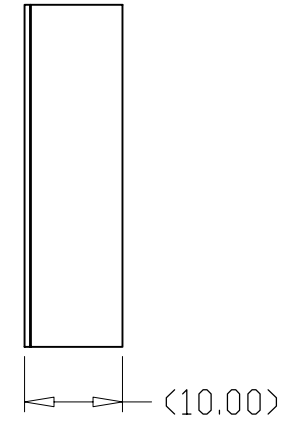
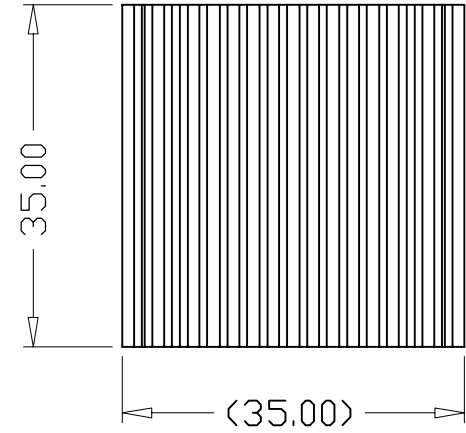


NOTICE - PROPRIETARY INFORMATION
 THE DESIGN AND RELATED INFORMATION CONTAINED HEREIN IS THE SOLE PROPERTY OF COFAN INC. THE DISCLOSURE OF THIS INFORMATION DOES NOT CONSTITUTE THE RELEASE OF ANY PROPRIETARY RIGHTS THEREIN. PERMISSION TO REPRODUCE THIS INFORMATION OR THE PRODUCTS DISCLOSED HEREIN MUST BE OBTAINED IN WRITING FROM COFAN INC.

REVISION HISTORY					
REV	DESCRIPTION	DRWN	CHK'D	APP'VD	DATE

NOTES

1. MATERIAL: AL 6063-T5
2. FINISH: BLACK ANODIZED
3. BREAK ALL SHARP EDGES AND CORNERS.
4. ALL DIMENSIONS ARE TOLERANCED BY THE DECIMAL PLACE AND TOLERANCES IN THE TITLE BLOCK UNLESS NOTED BY A SEPARATE CALLOUT.
5. PART WEIGHT: 16.4g



DO NOT SCALE DRAWING <small>UNLESS OTHERWISE SPECIFIED DIMENSIONS ARE IN MILLIMETRE TOLERANCES ARE:</small> 1 PLACE .X ± 0.4 2 PLACE .XX ± 0.20 3 PLACE .XXX ± 0.13 ANGLES EXCEPT 90° ± 0.5° MAXIMUM SURFACE ROUGHNESS 3.2√	MATERIAL:	1	CUSTOMER DRAWING NUMBER:	 <small>1400 FULTON PL. UNIT A FREMONT CA 94539</small>						
	FINISH:	2	CUSTOMER PART NUMBER:	NAME: HEAT SINK						
	DRAWN BY:	Ajie	COFAN DRAWING NUMBER:	20-1371	SCALE:	1:1	CUS REV:	-	COF REV:	01
	APPR BY:		COFAN PART NUMBER:	20-1371	SHEET:	1 OF 1		DATE DRAWN: Aug-15-2006		