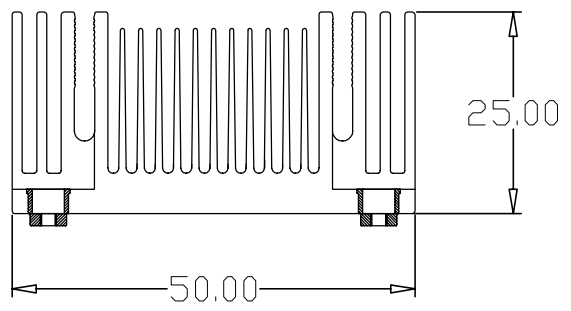
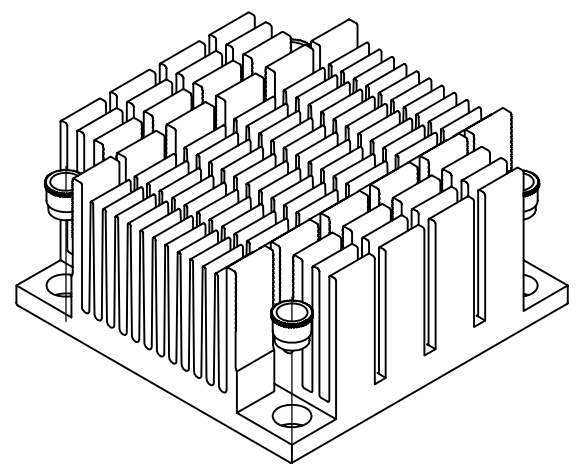
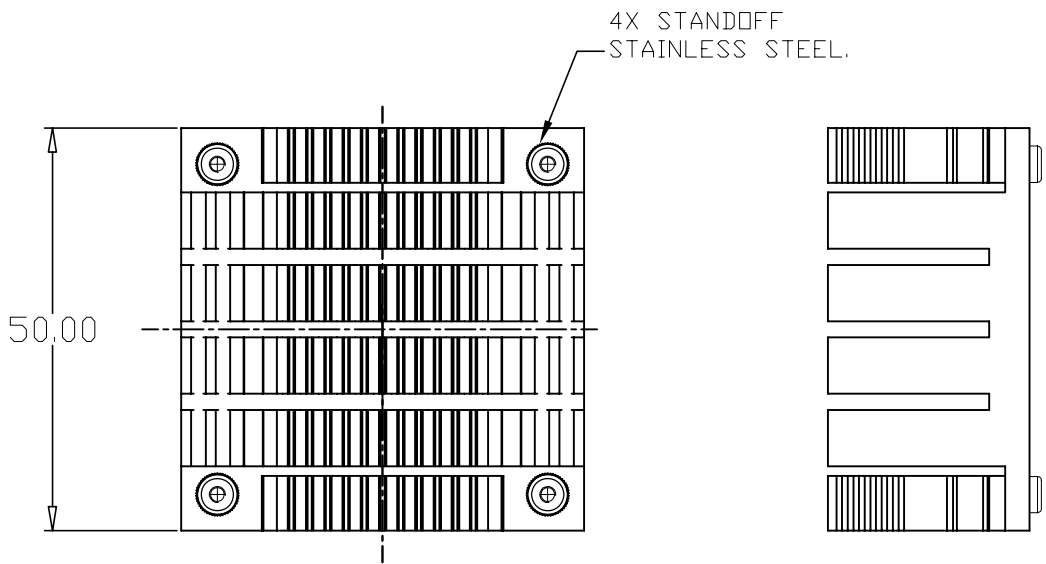


NOTICE - PROPRIETARY INFORMATION  
 THE DESIGN AND RELATED INFORMATION CONTAINED HEREIN  
 IS THE SOLE PROPERTY OF COFAN INC. THE DISCLOSURE  
 OF THIS INFORMATION DOES NOT CONSTITUTE THE RELEASE OF  
 ANY PROPRIETARY RIGHTS THEREIN. PERMISSION TO REPRODUCE  
 THIS INFORMATION OR THE PRODUCTS DISCLOSED HEREIN  
 MUST BE OBTAINED IN WRITING FROM COFAN INC.

REVISION HISTORY					
REV	DESCRIPTION	DRWN	CHK'D	APP'VD	DATE



RoHS  
 Compliant  
 2002/95/EC

DO NOT SCALE DRAWING UNLESS OTHERWISE SPECIFIED DIMENSIONS ARE IN MILLIMETRE TOLERANCES ARE: 1 PLACE .X ± 0.4 2 PLACE .XX ± 0.20 3 PLACE .XXX ± 0.06 ANGLES EXCEPT 90° ± 1° MAXIMUM SURFACE ROUGHNESS 3.2 √	MATERIAL: N/A	CUSTOMER DRAWING NUMBER: -----	 1400 FULTON PL. UNIT A FREMONT CA 94539		
	FINISH: N/A	CUSTOMER PART NUMBER: -----	NAME: HEAT SINK, W/ STANDOFF		
	DRAWN BY: <i>Long</i>	CDFAN DRAWING NUMBER: 20-1524	SCALE: 1:1	CUS REV: 01	COF REV: 01
	APPR BY:	CDFAN PART NUMBER: 20-1524	SHEET: 2 OF 2	DATE DRAWN: Jun-8-2006	