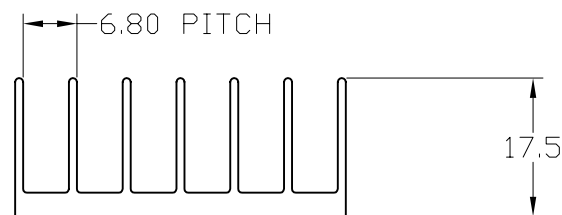
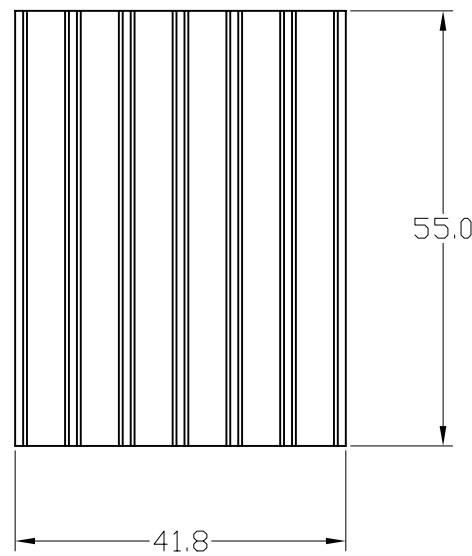


NOTICE - PROPRIETARY INFORMATION  
 THE DESIGN AND RELATED INFORMATION CONTAINED HEREIN  
 IS THE SOLE PROPERTY OF COFAN INC. THE DISCLOSURE  
 OF THIS INFORMATION DOES NOT CONSTITUTE THE RELEASE OF  
 ANY PROPRIETARY RIGHTS THEREIN. PERMISSION TO REPRODUCE  
 THIS INFORMATION OR THE PRODUCTS DISCLOSED HEREIN  
 MUST BE OBTAINED IN WRITING FROM COFAN INC.

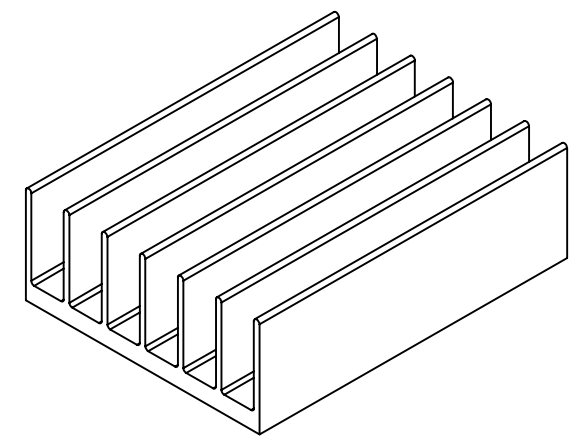
REVISION HISTORY					
REV	DESCRIPTION	DRWN	CHK'D	APP'VD	DATE
---	SEE SHEET 1	---	---	---	---



NOTES (UNLESS OTHERWISE SPECIFIED):

- 1 MATERIAL: 6063-T5 AL ALY
- 2 FINISH: ANODIZE BLACK
- 3 DIMENSIONS AND TOLERANCE PER ANSI Y14.5-1982.
- 4 REMOVE ALL SHARP EDGES AND BURRS.
- 5 TOLERANCES UNLESS OTHERWISE NOTED:
 

1 PLACE .X	±0.4
2 PLACES .XX	±0.25
3 PLACES .XXX	±0.13
- 6 APPLY THERMAL INTERFACE MATERIAL BERGQUIST BOND-PLY 100(.005 INCH) 2-SIDED PSA TAP TO SURFACE INDICATED.



DO NOT SCALE DRAWING UNLESS OTHERWISE SPECIFIED DIMENSIONS ARE IN MILLIMETRE TOLERANCES ARE: 1 PLACE .X ± 0.4 2 PLACE .XX ± 0.25 3 PLACE .XXX ± 0.13 ANGLES EXCEPT 90° ± 1° MAXIMUM SURFACE ROUGHNESS 125 √	MATERIAL: SEE NOTES 1	CUSTOMER DRAWING NUMBER: ----	 1400 FULTON PL. UNIT A FREMONT CA 94539		
	FINISH: SEE NOTES 2	CUSTOMER PART NUMBER: ----	NAME: HEAT SINK 41.8 x 55 x 17.5mm		
	DRAWN BY: JUN	COFAN DRAWING NUMBER: 20-1589	SCALE: 1 : 1	CUS REV: 02	COF REV: 01
APPR BY:	COFAN PART NUMBER: 20-1589	SHEET: 1 OF 1	DATE DRAWN: 03-31-2004		