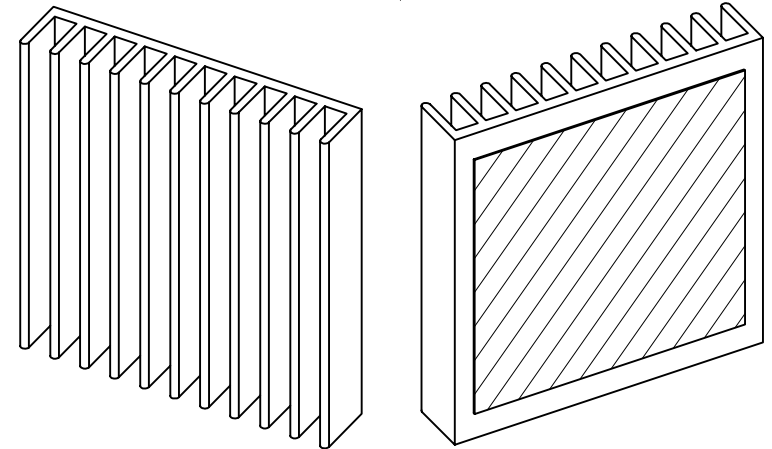
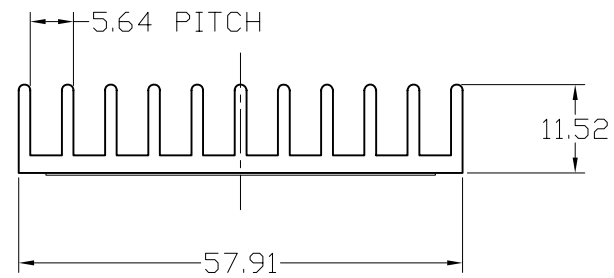
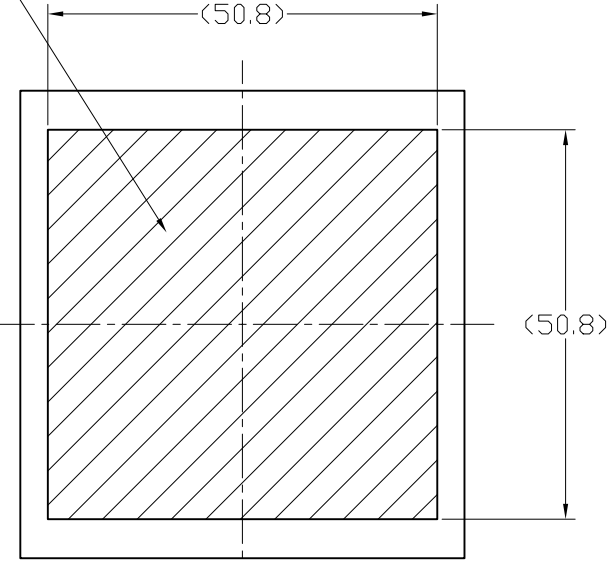
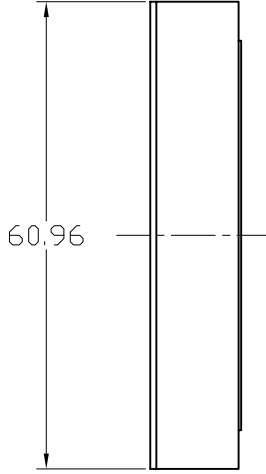
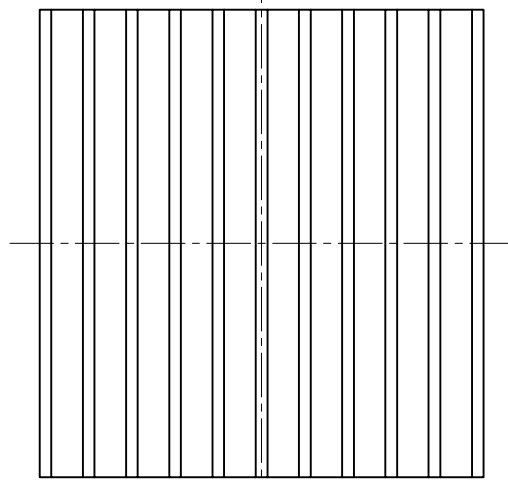


NOTICE - PROPRIETARY INFORMATION
 THE DESIGN AND RELATED INFORMATION CONTAINED HEREIN
 IS THE SOLE PROPERTY OF COFAN INC. THE DISCLOSURE
 OF THIS INFORMATION DOES NOT CONSTITUTE THE RELEASE OF
 ANY PROPRIETARY RIGHTS THEREIN. PERMISSION TO REPRODUCE
 THIS INFORMATION OR THE PRODUCTS DISCLOSED HEREIN
 MUST BE OBTAINED IN WRITING FROM COFAN INC.

Bergquist Bondply
 108-Size:2"x2"



SCALE 0.8:1

COFAN PART # 20-1591
 WWW.COFAN-USA.COM

DO NOT SCALE DRAWING <small>UNLESS OTHERWISE SPECIFIED DIMENSIONS ARE IN MILLIMETRE TOLERANCES ARE:</small> 1 PLACE .X ± 0.4 2 PLACE .XX ± 0.25 3 PLACE .XXX ± 0.13 <small>ANGLES EXCEPT 90° ± 1° MAXIMUM SURFACE ROUGHNESS 125√</small>	MATERIAL:	CUSTOMER DRAWING NUMBER:	COFAN USA <small>1400 FULTON PL. UNIT A FREMONT CA 94539</small>	
	AL 6063-T5	-	NAME:	HEAT SINK
	FINISH:	CUSTOMER PART NUMBER:	SCALE:	REV:
	Black Anodize	-	1:1	01
DRAWN BY:	COFAN DRAWING NUMBER:	SHEET:	DATE DRAWN:	
<i>Dan</i>	20-1591	1 OF 1	Jan-28-2004	
APPR BY:	COFAN PART NUMBER:			
	20-1591			