
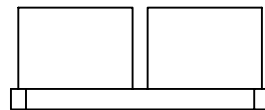
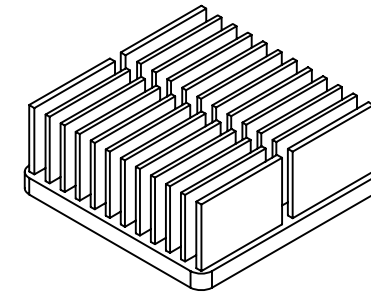
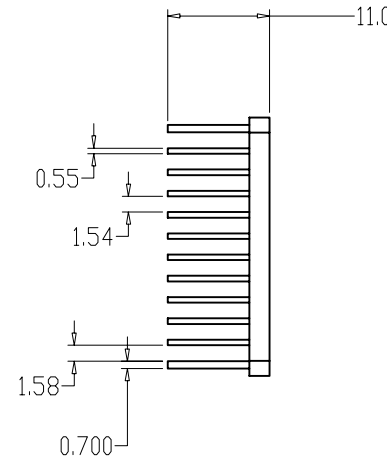
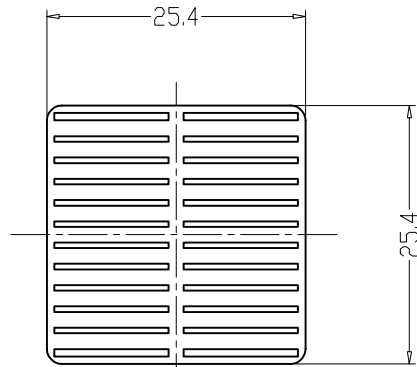


NOTICE - PROPRIETARY INFORMATION  
 THE DESIGN AND RELATED INFORMATION CONTAINED HEREIN IS THE SOLE PROPERTY OF COFAN INC. THE DISCLOSURE OF THIS INFORMATION DOES NOT CONSTITUTE THE RELEASE OF ANY PROPRIETARY RIGHTS THEREIN. PERMISSION TO REPRODUCE THIS INFORMATION OR THE PRODUCTS DISCLOSED HEREIN MUST BE OBTAINED IN WRITING FROM COFAN INC.


REVISION HISTORY					
REV	DESCRIPTION	DRWN	CHK'D	APPVD	DATE
-	-	-	-	-	-

NOTES?

1. MATERIAL? AL6063-T5
2. FINISH? BLACK ANODIZED.
3. DEBURR AND BREAK ALL SHARP EDGES..
4.  IS CRITICAL INSPECTION POINT. NUMBERING IN TRIANGLE IS TO BE USED FOR CROSS REFERENCE OF INSPECTION REPORT TO DRAWING DIMENSION OR FEATURE.
5. ALL DIMENSIONS TO INCLUDE APPLICABLE FINISH.
6. PART GROSS WEIGHT: 6.8 g/pcs.



RoHS  
 COMPLIANT  
 2002/95/EC

<b>DO NOT SCALE DRAWING</b>		NAME:	DATE:	CUSTOMER DRAWING NUMBER:	 46177 WARM SPRINGS BLVD FREMONT CA 94539		
UNLESS OTHERWISE SPECIFIED DIMENSIONS ARE IN MILLIMETRE TOLERANCES ARE:		DRAWN BY:	Jun	07/11/07	CUSTOMER PART NUMBER:	NAME: HS 25.4x 25.4x 11	
1 PLACE .X	± 0.25	CHECKED BY:			CUSTOMER PART NUMBER:	[----]	
2 PLACE .XX	± 0.13	CHECKED BY:			COFAN DRAWING NUMBER:	SCALE:	CUS REV:
3 PLACE .XXX	± 0.08	CHECKED BY:			20-3018	NONE	01
ANGLES EXCEPT 90°	± 0.5°	APP BY:			COFAN PART NUMBER:	SHEET:	DATE DRAWN:
MAXIMUM SURFACE ROUGHNESS	6.4√				20-3018	1 OF 1	Jul-11-2007

8

7

6

5

4

3

2

1

8

7

6

5

4

3

2

1