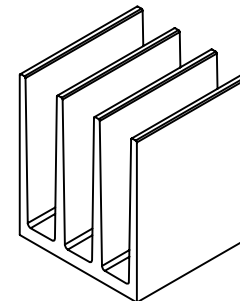
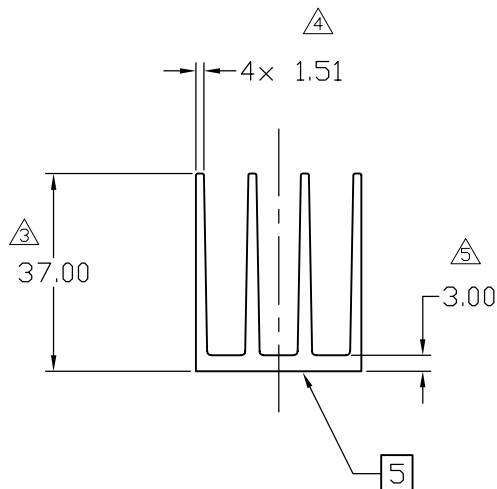
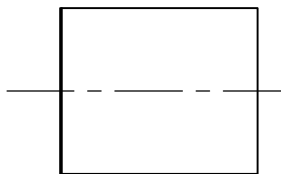
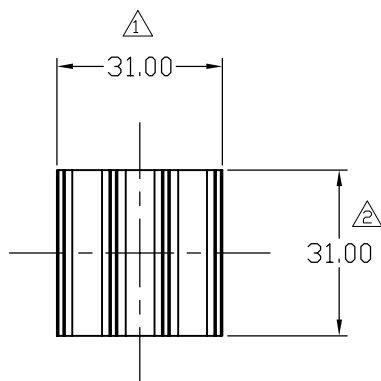


NOTICE - PROPRIETARY INFORMATION
 THE DESIGN AND RELATED INFORMATION CONTAINED HEREIN
 IS THE SOLE PROPERTY OF COFAN USA INC. THE DISCLOSURE
 OF THIS INFORMATION DOES NOT CONSTITUTE THE RELEASE OF
 ANY PROPRIETARY RIGHTS THEREIN. PERMISSION TO REPRODUCE
 THIS INFORMATION OR THE PRODUCTS DISCLOSED HEREIN
 MUST BE OBTAINED IN WRITING FROM COFAN USA INC.

REVISION HISTORY					
REV	DESCRIPTION	DRWN	CHK'D	APPVD	DATE

NOTES:

1. MATERIAL: AL 6063-T5 .
2. FINISH: BLACK ANODIZE.
3. REMOVE ALL SHARP EDGES AND BURRS.
4. \triangle IS CRITICAL INSPECTION POINT. NUMBERING IN TRIANGLEIS TO BE USED FOR CROSS REFERENCE OF INSPECTION REPORT TO DRAWING DIMENSION OR FEATURE.
5. STAMP OR MARK RADISYS PART NO., SUPPLIER NAME OR LOGO, AND DATE OR LOT CODE, APPROXIMATELY WHERE SHOWN IN A PERMANENT AND READABLE FORM.
6. PART NET WEIGHT: 30.3g/PCS.



RoHS
 Compliant
 2002/95/EC

DO NOT SCALE DRAWING <small>UNLESS OTHERWISE SPECIFIED DIMENSIONS ARE IN MILLIMETRE TOLERANCES ARE:</small> 1 PLACE .X ± 0.2 2 PLACE .XX ± 0.13 3 PLACE .XXX ± 0.07 <small>ANGLES EXCEPT 90° $\pm 0.5^\circ$</small> <small>MAXIMUM SURFACE ROUGHNESS</small> 6.3	NAME:	DATE:	CUSTOMER DRAWING NUMBER:			 <small>46177 WARM SPRING BLVD FREMONT CA 94539</small> NAME: HEAT SINK, PASSIVE 31 x 31 x 37MM		
	DRAWN BY:	Long	Sep-05-07	CUSTOMER PART NUMBER:				
	CHECKED BY:			CDFAN DRAWING NUMBER:	SCALE:		CUS REV:	CDF REV:
	CHECKED BY:			20-3071	1:1		A	01
APPR BY:			CDFAN PART NUMBER:	SHEET:		DATE DRAWN:		
			20-3071	1 OF 1		Sep-05-2007		