
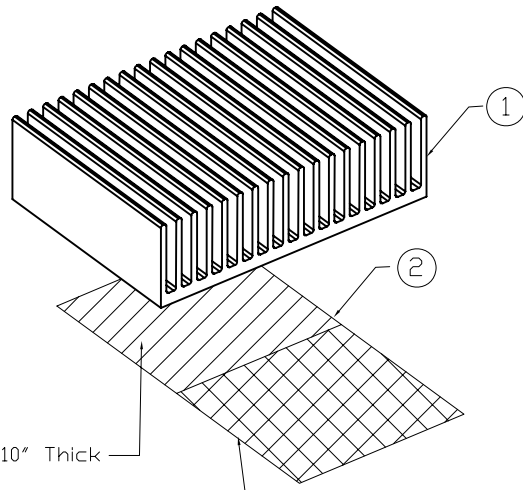


NOTICE - PROPRIETARY INFORMATION
 THE DESIGN AND RELATED INFORMATION CONTAINED HEREIN
 IS THE SOLE PROPERTY OF COFAN INC. THE DISCLOSURE
 OF THIS INFORMATION DOES NOT CONSTITUTE THE RELEASE OF
 ANY PROPRIETARY RIGHTS THEREIN. PERMISSION TO REPRODUCE
 THIS INFORMATION OR THE PRODUCTS DISCLOSED HEREIN
 MUST BE OBTAINED IN WRITING FROM COFAN INC.

REVISION HISTORY					
REV	DESCRIPTION	DRWN	CHK'D	APP'VD	DATE
02	The dimension 14mm change to 13.5mm	Ajie	---	---	Nov-02-05

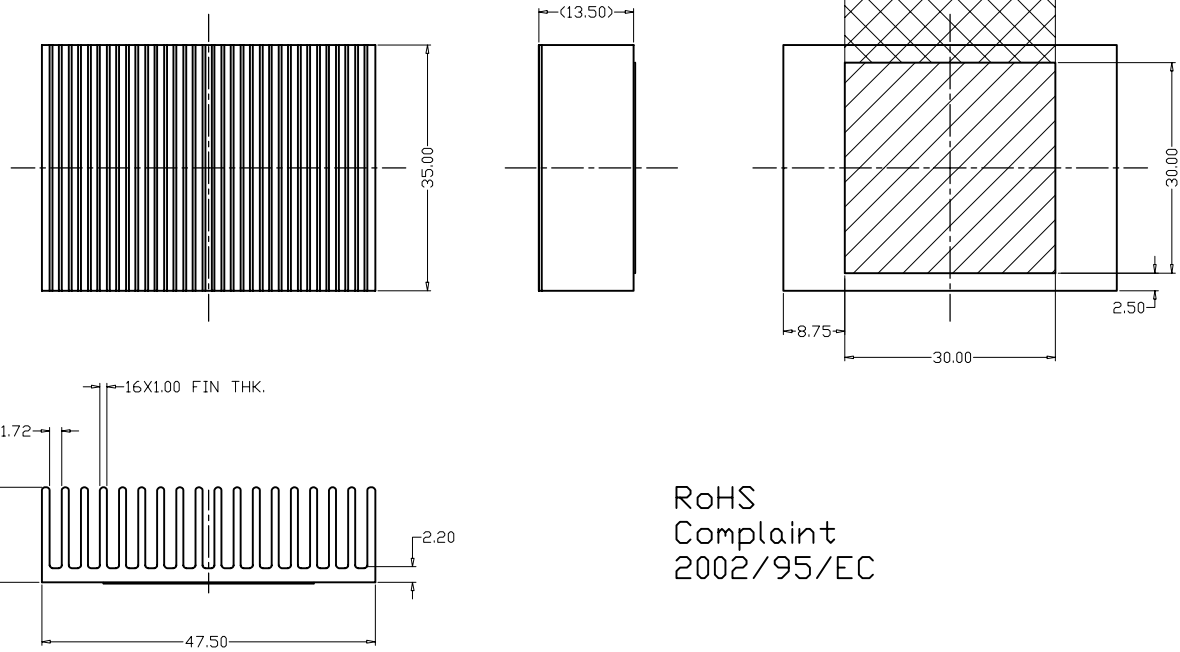
NOTES:

- 1. MATERIAL: AL 6063-T5
- 2. FINISH: BLACK ANODIZED
- 3.  IS CRITICAL INSPECTION POINT NUMBERING IN TRIANGLE
IS TO BE USED FOR CROSS REFERENCE OF INSPECTION
REPORT TO DRAWING DIMENSION OR FEATURE
- 4. SECTION AREA: 10.7mm²
- 5. PART WEIGHT: 28.9g



3M 8810 - .010" Thick
 (30 x 30mm)

REMOVE PULL TAB




RoHS
 Complaint
 2002/95/EC

COFAN PART # 70-1015 FOR PAD
 COFAN PART # 20-1098 FOR HEATSINK W/O PAD
 COFAN PART # 30-1041 FOR HEATSINK WITH PAD

Item	Part Description	Part Number	Q'ty
②	CHOMERICS T412 PAD	70-1015	1
①	HEAT SINK	20-1098	1

BOM SHEET

DO NOT SCALE DRAWING UNLESS OTHERWISE SPECIFIED DIMENSIONS ARE IN MILLIMETRE TOLERANCES ARE: 1 PLACE .X ± 0.4 2 PLACE .XX ± 0.25 3 PLACE .XXX ± 0.13 ANGLES EXCEPT 90° ± 1° MAXIMUM SURFACE ROUGHNESS 3.2 √	MATERIAL: AL-6063-T5	CUSTOMER DRAWING NUMBER: ----	 1400 FULTON PL. UNIT A FREMONT CA 94539		
	FINISH: Black Anodize	CUSTOMER PART NUMBER: ----	NAME: HEAT SINK ASSY		
	DRAWN BY: Ajie	COFAN ASSY DWG NUMBER: 30-1041	SCALE: NDN	CUS REV: 01	COF REV: 02
	APPR BY:	COFAN ASSY PART NUMBER: 30-1041	SHEET: 1 OF 1	DATE DRAWN: Apr-10-2006	