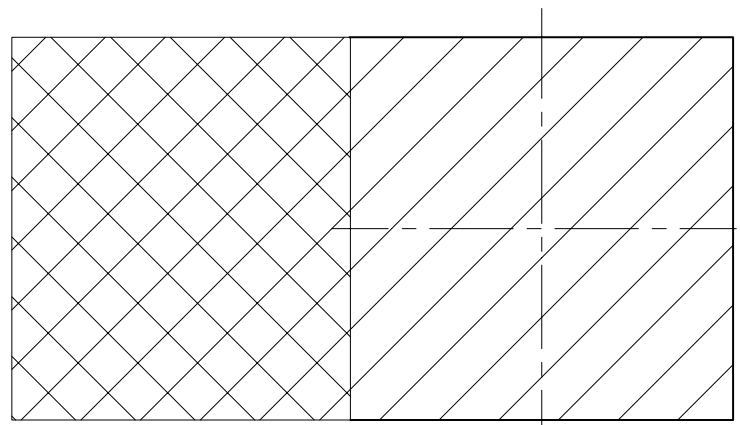
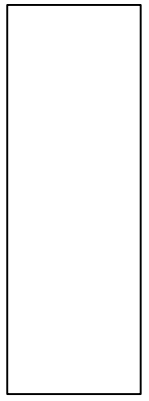
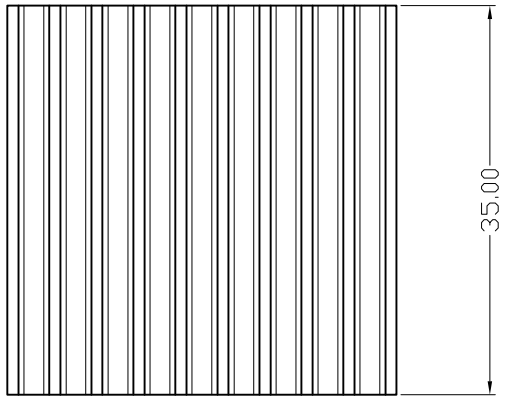
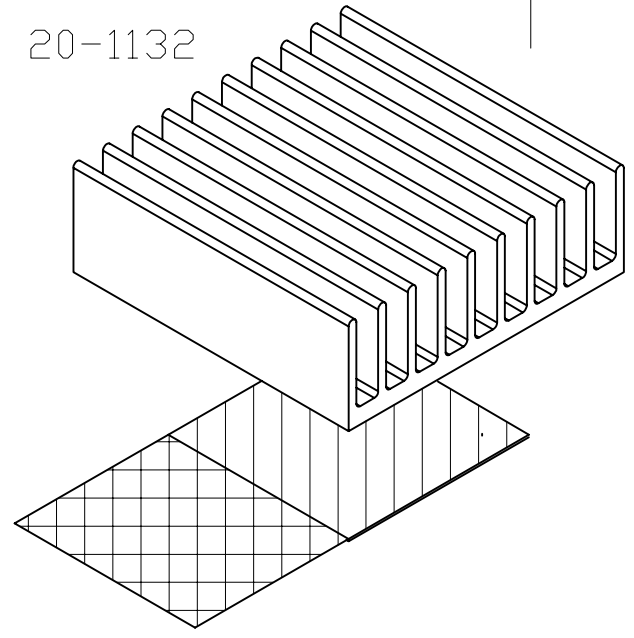
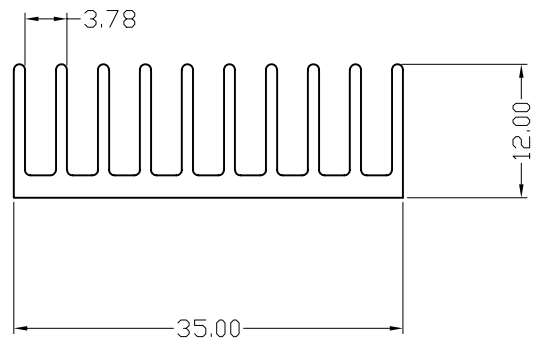


NOTICE - PROPRIETARY INFORMATION
 THE DESIGN AND RELATED INFORMATION CONTAINED HEREIN
 IS THE SOLE PROPERTY OF COFAN INC. THE DISCLOSURE
 OF THIS INFORMATION DOES NOT CONSTITUTE THE RELEASE OF
 ANY PROPRIETARY RIGHTS THEREIN. PERMISSION TO REPRODUCE
 THIS INFORMATION OR THE PRODUCTS DISCLOSED HEREIN
 MUST BE OBTAINED IN WRITING FROM COFAN INC.

REVISION HISTORY					
REV	DESCRIPTION	DRWN	CHK'D	APP'VD	DATE
---	SEE SHEET 1	---	---	---	---



Heat sink p/n 20-1132



DO NOT SCALE DRAWING UNLESS OTHERWISE SPECIFIED DIMENSIONS ARE IN MILLIMETRE TOLERANCES ARE: 1 PLACE .X ± 0.4 2 PLACE .XX ± 0.25 3 PLACE .XXX ± 0.13 ANGLES EXCEPT 90° ± 1° MAXIMUM SURFACE ROUGHNESS 125 √	MATERIAL: AL 6063-T5	CUSTOMER DRAWING NUMBER: ----	 1400 FULTON PL. UNIT A FREMONT CA 94539		
	FINISH: BLACK ANODIZED	CUSTOMER PART NUMBER: ----	NAME: HEAT SINK 35 x 35 x 12mm		
	DRAWN BY: Jun	COFAN DRAWING NUMBER: 30-1069	SCALE: 2 : 1	CUS REV: 01	COF REV: 01
	APPR BY:	COFAN PART NUMBER: 30-1069	SHEET: 1 OF 1	DATE DRAWN: Jan-29-2005	