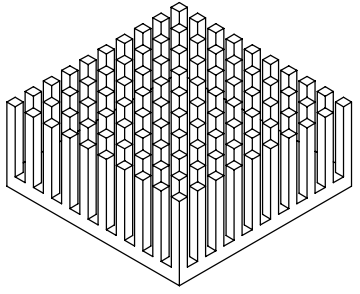
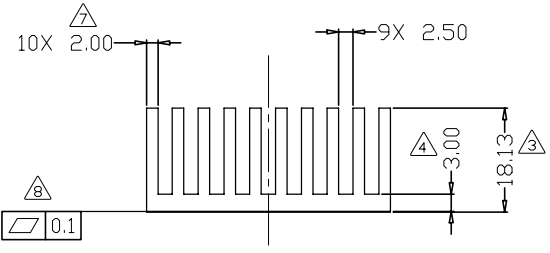
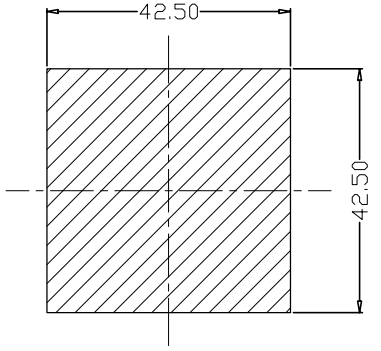
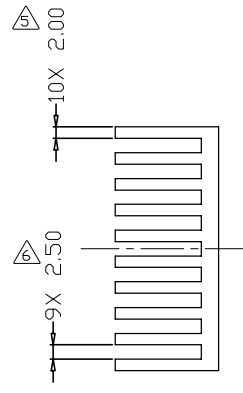
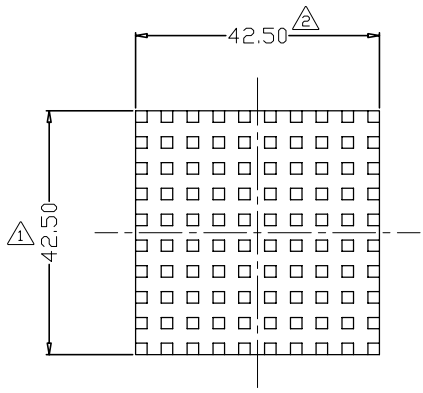
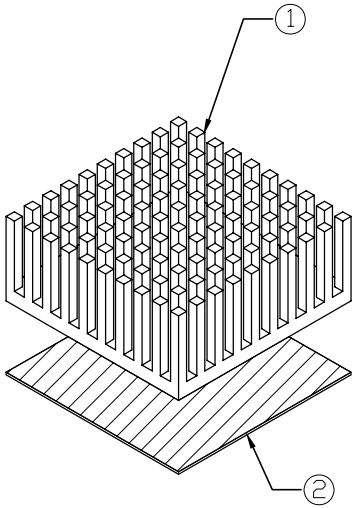


NOTICE - PROPRIETARY INFORMATION
 THE DESIGN AND RELATED INFORMATION CONTAINED HEREIN IS THE SOLE PROPERTY OF COFAN INC. THE DISCLOSURE OF THIS INFORMATION DOES NOT CONSTITUTE THE RELEASE OF ANY PROPRIETARY RIGHTS THEREIN. PERMISSION TO REPRODUCE THIS INFORMATION OR THE PRODUCTS DISCLOSED HEREIN MUST BE OBTAINED IN WRITING FROM COFAN INC.

REVISION HISTORY					
REV	DESCRIPTION	DRWN	CHK'D	APP'VD	DATE
—	— SEE SHEET 1 —	—	—	—	—

NOTES:
 1. THERMAL PAD SHOULD BE ALINE TO EDGES OF HEATSINK.



RoHS
 Compliant
 2002/95/EC

②	THERMAL PAD	70-1054	Bergquist Bondply 105	N/A
①	HEAT SINK	20-3009	AL6063-T5	BLACK ANODIZE
Item	ITEM NAME	PART #	MATERIAL	PLATING

DO NOT SCALE DRAWING
 UNLESS OTHERWISE SPECIFIED DIMENSIONS ARE IN MILLIMETRE TOLERANCES ARE:
 1 PLACE .X ± 0.4
 2 PLACE .XX ± 0.25
 3 PLACE .XXX ± 0.13
 ANGLES EXCEPT 90° ± 0.5°
 MAXIMUM SURFACE ROUGHNESS 6.3√

MATERIAL:	N/A	CUSTOMER DRAWING NUMBER:	----		
FINISH:	N/A	CUSTOMER PART NUMBER:	NAME: CPU HEAT SINK ASSY		
DRAWN BY:	Long	COFAN DRAWING NUMBER:	30-1214	SCALE:	1:1
APPR BY:		COFAN PART NUMBER:	30-1214	CUS REV:	--
				COF REV:	02
				SHEET:	1 OF 1
				DATE DRAWN:	Oct-27-2006

