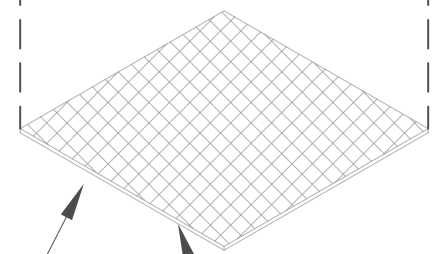
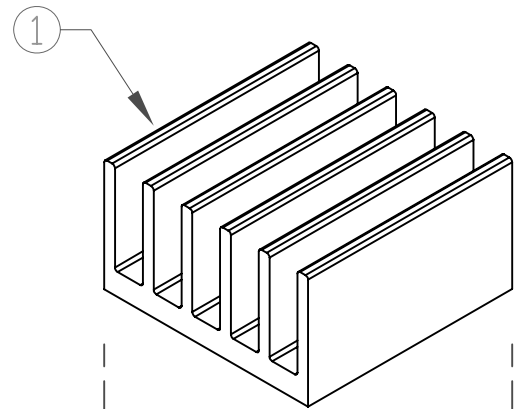
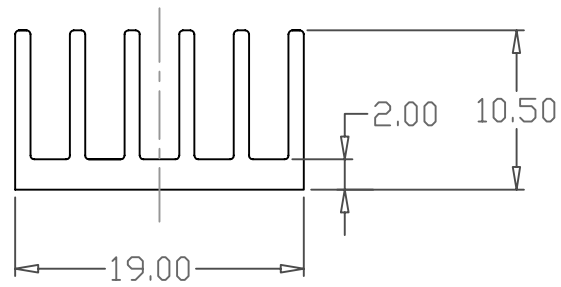
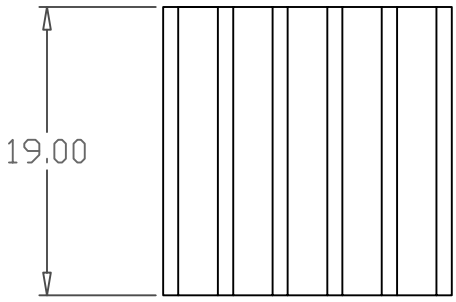


NOTICE - PROPRIETARY INFORMATION
 THE DESIGN AND RELATED INFORMATION CONTAINED HEREIN IS THE SOLE PROPERTY OF COFAN INC. THE DISCLOSURE OF THIS INFORMATION DOES NOT CONSTITUTE THE RELEASE OF ANY PROPRIETARY RIGHTS THEREIN. PERMISSION TO REPRODUCE THIS INFORMATION OR THE PRODUCTS DISCLOSED HEREIN MUST BE OBTAINED IN WRITING FROM COFAN INC.

REVISION HISTORY				



THERMAL TAPE
 CHOMERICS T405
 (19 x 19mm)

REMOVE BEFORE INSTALLATION

Weight: 4.5g

Thermal Resistance (without T405):

LFM	°C/W
0	26.5
100	12.59
200	8.56
400	5.99

ITER	PART NAME	PART #	QTY
2	CHOMERICS T-405 19x19mm	70-1074	1
1	HEATSINK	20-2077	1

BOM SHEET

DO NOT SCALE DRAWING
 UNLESS OTHERWISE SPECIFIED DIMENSIONS ARE IN MILLIMETRE TOLERANCES ARE:

1 PLACE .X	± 0.4
2 PLACE .XX	± 0.25
3 PLACE .XXX	± 0.13

ANGLES EXCEPT 90° ± 0.5°
 MAXIMUM SURFACE ROUGHNESS 3.1 √

MATERIAL: 6063-T5	CUSTOMER DRAWING NUMBER: -	COFAN USA <small>1400 FULTON PL. UNIT A FREMONT CA 94539</small>		
FINISH: BLACK ANODIZE	PART NUMBER:	NAME: HEATSINK		
DRAWN BY: A.jie	COFAN ALTERNATE PART #: 30-1471	SCALE: 1:1	CUS REV: -	COF REV: 01
APPR BY:	COFAN PART NUMBER: 30-1471	SHEET: 1 OF 1	DATE DRAWN: Feb-21-2007	