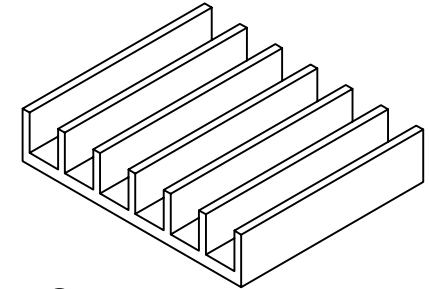


NOTICE - PROPRIETARY INFORMATION
 THE DESIGN AND RELATED INFORMATION CONTAINED HEREIN
 IS THE SOLE PROPERTY OF COFAN INC. THE DISCLOSURE
 OF THIS INFORMATION DOES NOT CONSTITUTE THE RELEASE OF
 ANY PROPRIETARY RIGHTS THEREIN. PERMISSION TO REPRODUCE
 THIS INFORMATION OR THE PRODUCTS DISCLOSED HEREIN
 MUST BE OBTAINED IN WRITING FROM COFAN INC.

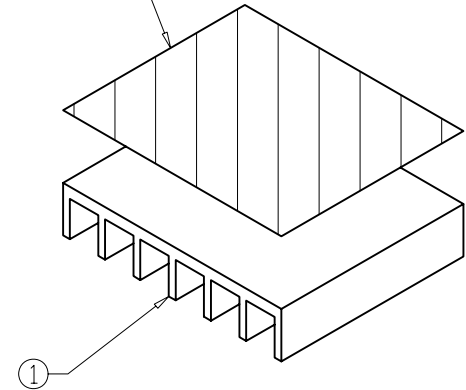
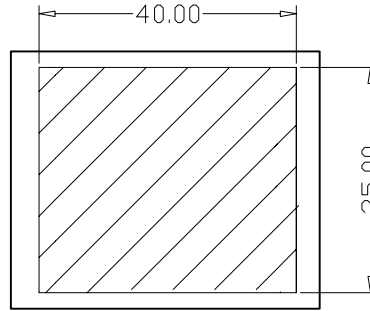
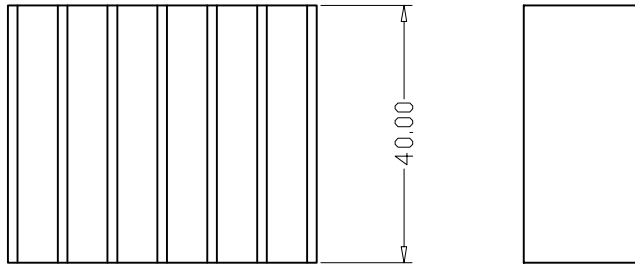
REVISION HISTORY					
REV	DESCRIPTION	DRWN	CHK'D	APPVD	DATE
---	SEE SHEET 1	---	---	---	---

NOTES:

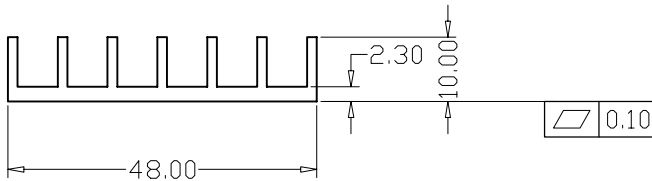
- 1 MATERIAL: AL 6063-T5.
- 2 FINISH: BLACK ANODIZED.
3. BREAK ALL SHARP EDGES AND CORNERS.
4. ALL DIMENSIONS ARE TOLERANCED BY THE DECIMAL PLACE ON THE DRAWING AND IN THE TITLE BLOCK UNLESS NOTED ON THE DRAWING BY A SEPARATE TOLERANCE CALLOUT.
5. \triangle IS CRITICAL INSPECTION POINT. NUMBERING IN TRIANGLE IS TO BE USED FOR CROSS REFERENCE OF INSPECTION REPORT TO DRAWING DIMENSION OR FEATURE.
6. PART WEIGHT: 21g



3M8815 40 x 35mm Centered ②



RoHS
 Compliant
 2002/95/EC



②	70-1084	3M8815, 40 x 35 x 0.38mm	1
①	20-2096	HEAT SINK, 48.0 X 40.0 X 10.0mm	1
ITEM	PART NUMBER	DESCRIPTION	QTY

DO NOT SCALE DRAWING UNLESS OTHERWISE SPECIFIED DIMENSIONS ARE IN MILLIMETRE TOLERANCES ARE: 1 PLACE .X ± 0.4 2 PLACE .XX ± 0.25 3 PLACE .XXX ± 0.13 ANGLES EXCEPT 90° ± 1° MAXIMUM SURFACE ROUGHNESS 125 $\sqrt{\quad}$	MATERIAL: ①	CUSTOMER DRAWING NUMBER: 1400 FULTON PL. UNIT A FREMONT CA 94539	COFAN USA NAME: HEAT SINK		
	FINISH: ②	CUSTOMER PART NUMBER: ---	SCALE: NONE	CUS REV: 01	COF REV: 01
	DRAWN BY: Jun	COFAN DRAWING NUMBER: 30-1530	SHEET: 1 OF 1	DATE DRAWN: Apr-03-2007	
	APPR BY:	COFAN PART NUMBER: 30-1530			