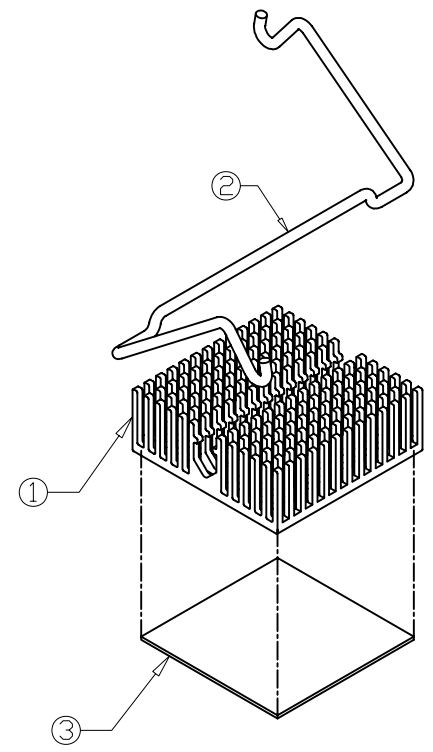
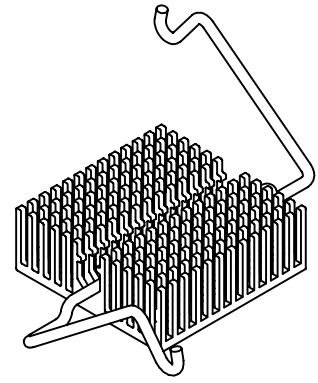
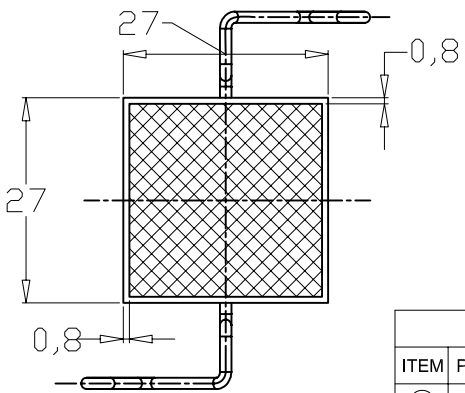
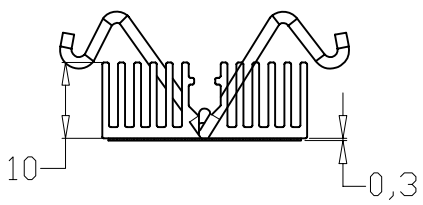
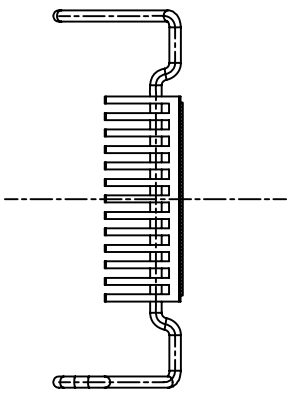
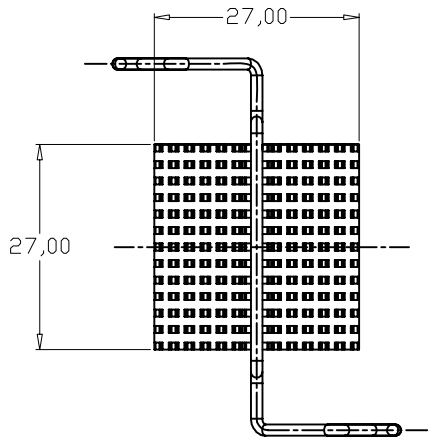


NOTICE - PROPRIETARY INFORMATION
 THE DESIGN AND RELATED INFORMATION CONTAINED HEREIN IS THE SOLE PROPERTY OF COFAN INC. THE DISCLOSURE OF THIS INFORMATION DOES NOT CONSTITUTE THE RELEASE OF ANY PROPRIETARY RIGHTS THEREIN. PERMISSION TO REPRODUCE THIS INFORMATION OR THE PRODUCTS DISCLOSED HEREIN MUST BE OBTAINED IN WRITING FROM COFAN INC.

| REVISION HISTORY | | | | | |
|------------------|-------------|------|-------|--------|------|
| REV | DESCRIPTION | DRWN | CHK'D | APP'VD | DATE |
| ---- | ---- | ---- | ---- | ---- | ---- |



| BOM SHEET | | | |
|-----------|-----------------|-----------|-----|
| ITEM | PART NAME | COFAN P/N | QTY |
| ① | HEAT SINK | 20-1578 | 1 |
| ② | CLIP | 30-1541-C | 1 |
| ③ | CHOMERICS T-766 | 30-1541-T | 1 |

DO NOT SCALE DRAWING
 UNLESS OTHERWISE SPECIFIED
 DIMENSIONS ARE IN MILLIMETRE
 TOLERANCES ARE:
 1 PLACE .X ± 0,4
 2 PLACE .XX ± 0,25
 3 PLACE .XXX ± 0,13
 ANGLES EXCEPT 90° ± 0,5°
 MAXIMUM SURFACE ROUGHNESS 3,1

| | | | | | | | | | |
|-----------|------|--------------------------|---------|---|--------|----------|-------------|----------|-------------|
| MATERIAL: | - | CUSTOMER DRAWING NUMBER: | - | 1400 FULTON PL. UNIT A FREMONT CA 94539 | | | | | |
| FINISH: | - | CUSTOMER PART NUMBER: | - | NAME: EXTRUDED HEATSINK ASSY | | | | | |
| DRAWN BY: | Long | COFAN DRAWING NUMBER: | 30-1541 | SCALE: | 1:1 | CUS REV: | 01 | COF REV: | 01 |
| APPR BY: | | COFAN PART NUMBER: | | SHEET: | 1 OF 1 | | DATE DRAWN: | | Jan-13-2006 |