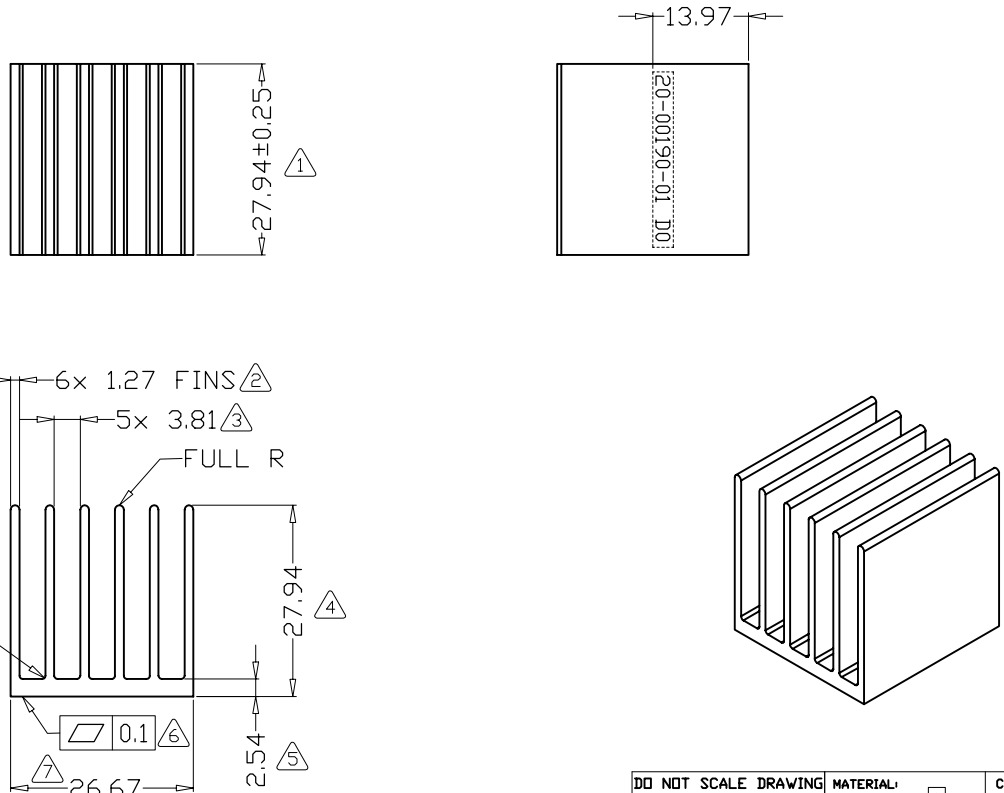


NOTICE - PROPRIETARY INFORMATION
 THE DESIGN AND RELATED INFORMATION CONTAINED HEREIN IS THE SOLE PROPERTY OF COFAN INC. THE DISCLOSURE OF THIS INFORMATION DOES NOT CONSTITUTE THE RELEASE OF ANY PROPRIETARY RIGHTS THEREIN. PERMISSION TO REPRODUCE THIS INFORMATION OR THE PRODUCTS DISCLOSED HEREIN MUST BE OBTAINED IN WRITING FROM COFAN INC.

REVISION HISTORY					
REV	DESCRIPTION	DRWN	CHK'D	APPVD	DATE

NOTES

1. MATERIAL: AL 6063-T5
2. FINISH: BLACK ANODIZE
3. PART WEIGHT: 19.7g
4. Δ IS CRITICAL INSPECTION POINT. NUMBERING IN TRIANGLE IS TO BE USED FOR CROSS REFERENCE OF INSPECTION REPORT TO DRAWING DIMENSION OR FEATURE.
5. MARX PART NUMBER AND REVISION LEVEL APPROXIMATELY WHERE SHOWN MARKING TO BE 3.3 ± 0.5 TALL RUBBER STAMP OR LASER MARK IN PERMANENT CONTRASTING COLOR OR METAL STAMP TO DERTH OF 0.1 ± 0.02 PRIOR TO ANODIZING
6. NO SHARP BURR OR EDGES



No	P/N	Description	Qty
③	70-1007	Tape,Bondply 105:26x26mm	1PC
②	20-1180	Bare HeatSink	1PC
①	30-1738	20-1180 H/S with TAPE	1Set

DO NOT SCALE DRAWING
 UNLESS OTHERWISE SPECIFIED DIMENSIONS ARE IN MILLIMETRE
 TOLERANCES ARE:
 1 PLACE .X ± 0.25
 2 PLACE .XX ± 0.12
 3 PLACE .XXX ± 0.06
 ANGLES EXCEPT 90° ± 0.5°
 MAXIMUM SURFACE ROUGHNESS 3.2√

MATERIAL:	①	CUSTOMER DRAWING NUMBER:	-----		
FINISH:	②	CUSTOMER PART NUMBER:	NAME: HEAT SINK 26.7 X 28.0 X 28.0		
DRAWN BY:	Ajie	COFAN DRAWING NUMBER:	SCALE:	CUS REV:	COF REV:
APPR BY:		30-1738	1:1	-	01
		COFAN PART NUMBER:	SHEET:	DATE DRAWN:	
		30-1738	1 OF 1	Oct-17-2007	

