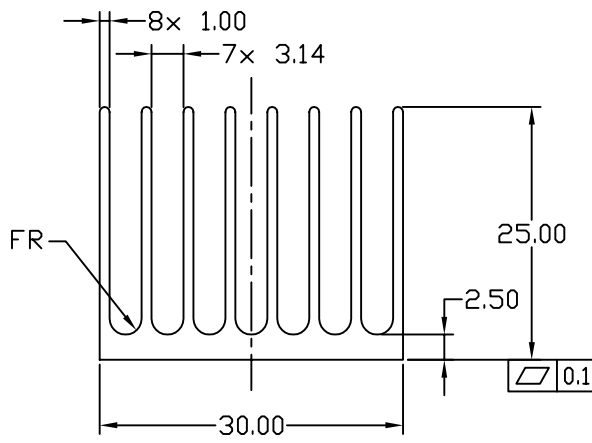
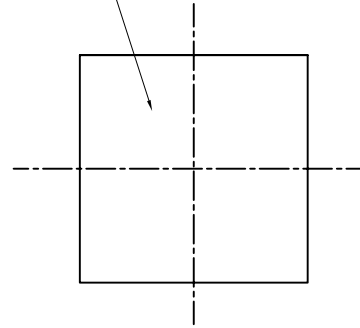
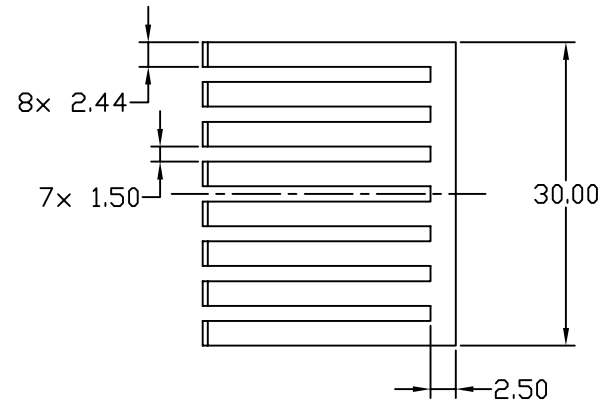
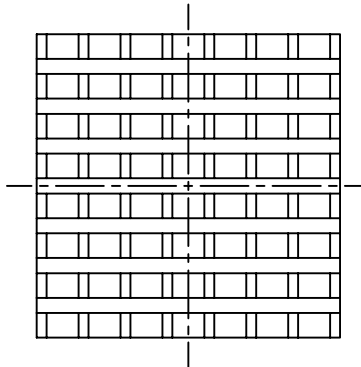
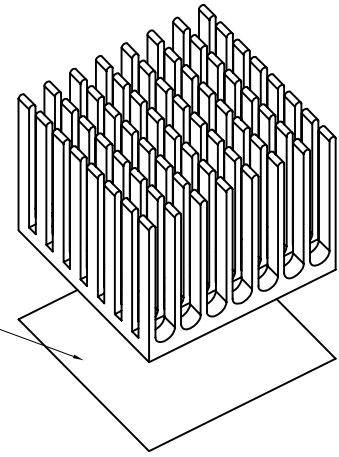


NOTICE - PROPRIETARY INFORMATION
 THE DESIGN AND RELATED INFORMATION CONTAINED HEREIN
 IS THE SOLE PROPERTY OF COFAN INC. THE DISCLOSURE
 OF THIS INFORMATION DOES NOT CONSTITUTE THE RELEASE OF
 ANY PROPRIETARY RIGHTS THEREIN. PERMISSION TO REPRODUCE
 THIS INFORMATION OR THE PRODUCTS DISCLOSED HEREIN
 MUST BE OBTAINED IN WRITING FROM COFAN INC.

3M8815, 30x30MM



3M8815, 30x30MM



DO NOT SCALE DRAWING UNLESS OTHERWISE SPECIFIED DIMENSIONS ARE IN MILLIMETRE TOLERANCES ARE: 1 PLACE .X ± 0.4 2 PLACE .XX ± 0.25 3 PLACE .XXX ± 0.13 ANGLES EXCEPT 90° ± 1° MAXIMUM SURFACE ROUGHNESS 3.15√	MATERIAL:	CUSTOMER DRAWING NUMBER:	 46177 WARM SPRINGS BLVD. FREMONT CA 94539		
	AL 6063-T5	-	NAME: 30X30X25, HEAT SINK		
	FINISH:	CUSTOMER PART NUMBER:	SCALE:	CUS REV:	COF REV:
	Black Anodize		2:1	A	01
DRAWN BY:	COFAN DRAWING NUMBER:	SHEET:		DATE DRAWN:	
Dan	30-2009	1 OF 1		Jun-29-2005	
APPR BY:	COFAN PART NUMBER:				
IVAN.C	30-2009				