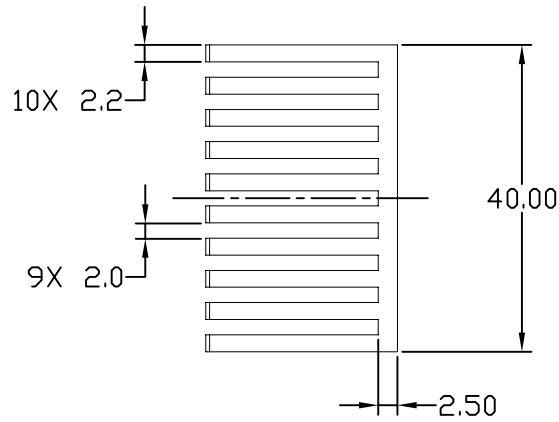
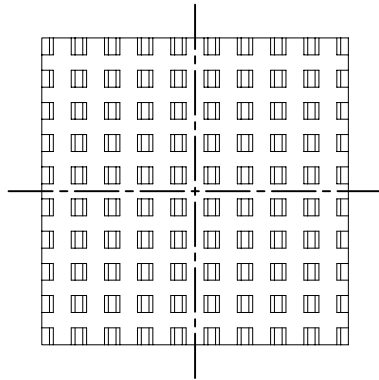
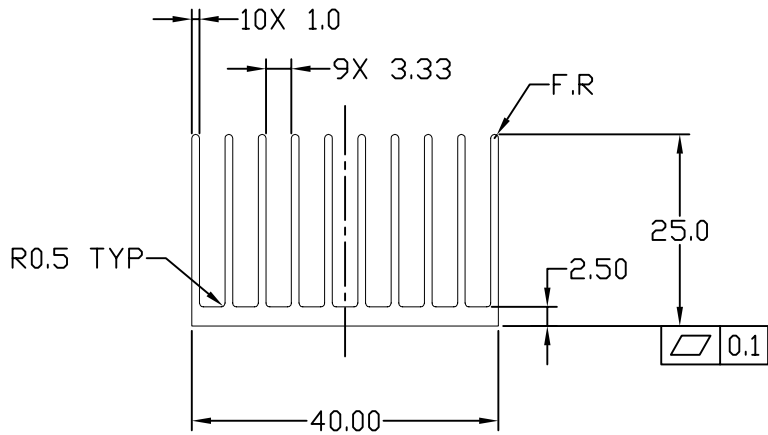
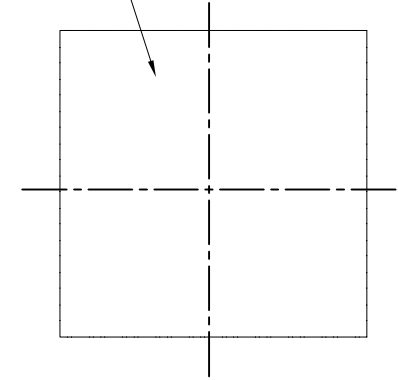


NOTICE - PROPRIETARY INFORMATION  
 THE DESIGN AND RELATED INFORMATION CONTAINED HEREIN  
 IS THE SOLE PROPERTY OF COFAN INC. THE DISCLOSURE  
 OF THIS INFORMATION DOES NOT CONSTITUTE THE RELEASE OF  
 ANY PROPRIETARY RIGHTS THEREIN. PERMISSION TO REPRODUCE  
 THIS INFORMATION OR THE PRODUCTS DISCLOSED HEREIN  
 MUST BE OBTAINED IN WRITING FROM COFAN INC.

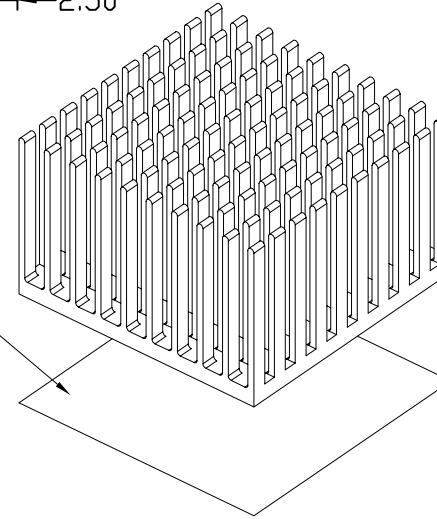
TO PLACE ORDER, USE COFAN PN: 30-2010




3M8815, 40x40MM



3M8815, 40x40mm



DO NOT SCALE DRAWING  
 UNLESS OTHERWISE SPECIFIED  
 DIMENSIONS ARE IN MILLIMETRE  
 TOLERANCES ARE:  
 1 PLACE .X ± 0.4  
 2 PLACE .XX ± 0.25  
 3 PLACE .XXX ± 0.13  
 ANGLES EXCEPT 90° ± 1°  
 MAXIMUM SURFACE ROUGHNESS 125√

DRAWING NUMBER:		 46177 WARM SPRINGS BLVD. FREMONT CA 94539	
MATERIAL: AL 6063-T5			
FINISH: BLACK ANODIZED		HEAT SINK	
DRAWN BY: DAN	PART NUMBER: 30-2010	REV: 01	
CHECKED BY: IVAN.C	SHEET: 1 OF 1	DATE DRAWN: 04-13-2005	SCALE: 1:1