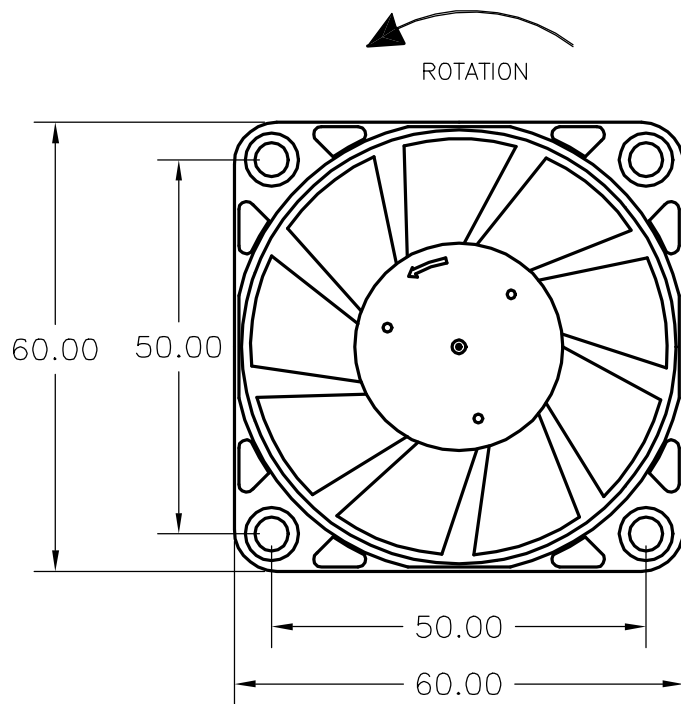
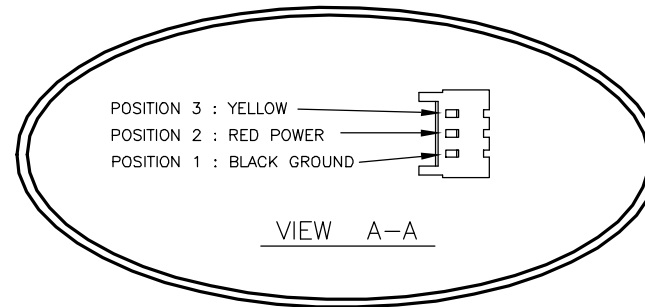
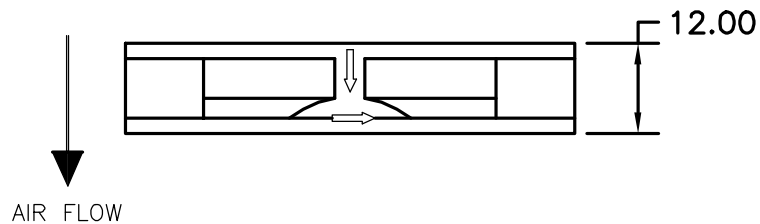
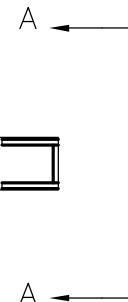


NOTICE - PROPRIETARY INFORMATION
 THE DESIGN AND RELATED INFORMATION CONTAINED HEREIN IS THE SOLE PROPERTY OF COFAN INC. THE DISCLOSURE OF THIS INFORMATION DOES NOT CONSTITUTE THE RELEASE OF ANY PROPRIETARY RIGHTS THEREIN. PERMISSION TO REPRODUCE THIS INFORMATION OR THE PRODUCTS DISCLOSED HEREIN MUST BE OBTAINED IN WRITING FROM COFAN INC.



156.6 ± 0.5



DO NOT SCALE DRAWING UNLESS OTHERWISE SPECIFIED DIMENSIONS ARE IN INCHES TOLERANCES ARE: 1 PLACE .X ± .03 2 PLACE .XX ± .01 3 PLACE .XXX ± .005 ANGLES EXCEPT 90° ± 1° MAXIMUM SURFACE ROUGHNESS 125 √	DRAWING NUMBER:		 43144 CHRISTY ST FREMONT CA 94538	
	MATERIAL:		DC FAN	
	FINISH:		PART NUMBER: D6012M 12A	REV: A
	DRAWN BY: S.K		SHEET: 1 OF 1	DATE DRAWN: 10-10-2001